

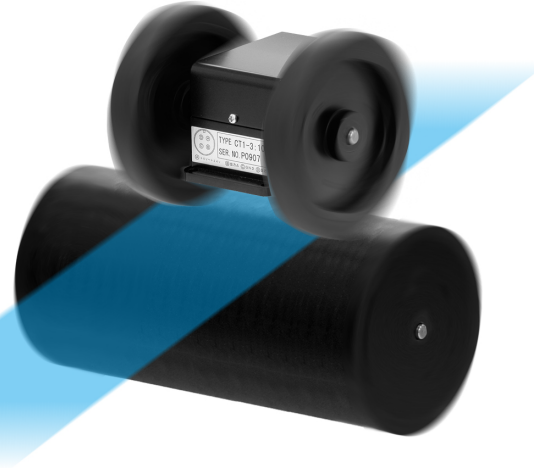
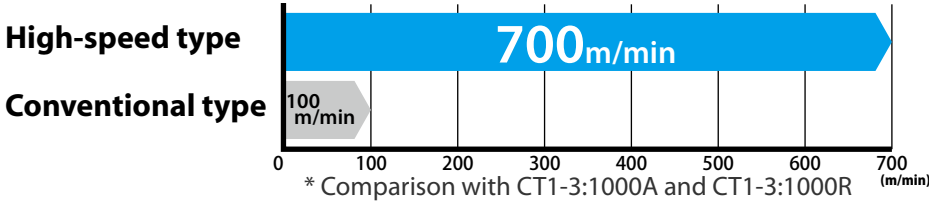
# [NEW]

# LINE SEIKI

## Length Sensor - High-speed type -

## CT1-V Series

- Achieves a maximum counting speed of 700m/min, seven times faster than conventional models.



- Ideal for high-speed slitters, coaters, rewinders, etc.
- Open collector output which is easy to use in combination with a PLC
- Compatible with 24VDC power supply

### Models

Models	Sensor	Resolution	Maximum Speed	Weight
CT1-3:100ACHV	Photoelectronic Sensor, 1 Non-contact Output (Open collector Output)	0.01m [0.01yard]	700m / minute [700yard / minute]	780g [28oz.]
CT1-3:1000ACHV		0.001m [0.001yard]		
CT1-3:100RCHV	Photoelectronic Sensor, 2 Non-contact Outputs (Open collector Output / 90°Quadrature Output)	0.01m [0.01yard]		
CT1-3:1000RCHV		0.001m [0.001yard]		

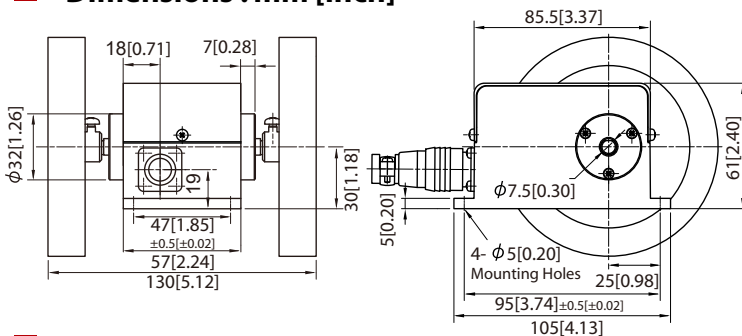
### Electrical Specifications

Power source	24VDC ±10%	Current consumption	60mA
Maximum load current	20mA	Residualvoltage	0.5V max.

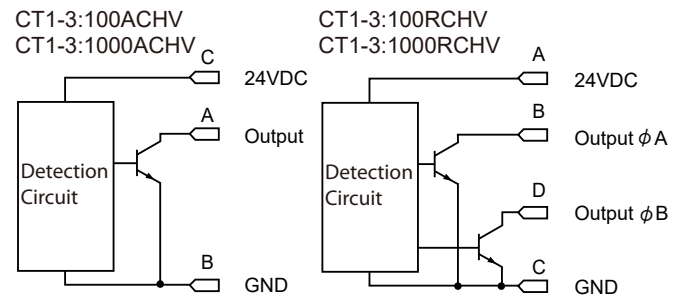
### Environmental Specifications

Ambient temp. : Operating	-10 - +50°C [14 - 122°F] (Should not be Frozen)	Ambient Humid. : Operating	35 - 85% (Non-Condensing)
Operation Torque	15mN.m	Compliance	CE, RoHS

### Dimensions : mm [inch]



### Output Circuit



### Accessories

Model : CT1	Measuring wheel for meter x 2	2 pieces of measuring wheel for meter are equipped as standard accessories. Instead of those, 2 pieces of measuring wheel for yard are available. Please order type of measuring wheel. "-YP" should be added to the model number. (Ex.) CT1-3:100ACHV-YP
Model : CT1-A	Measuring wheel for meter x 2, 3P connector x 1	
Model : CT1-R	Measuring wheel for meter x 2, 4P connector x 1	

#### Measuring wheel for meter MRM096

Diameter 106.1mm  
(Circumference 1/3 meter)  
Surface material is Thermoplastic Rubber.

#### Measuring wheel for yard MRM097

Diameter 97.0mm  
(Circumference 1/3 yard)  
Surface material is Thermoplastic Rubber.



Measuring wheels are subject to slip due to wear after prolonged usage. They may cause measurement errors if not replaced on time. Please periodically check the wheels for signs of deterioration.

