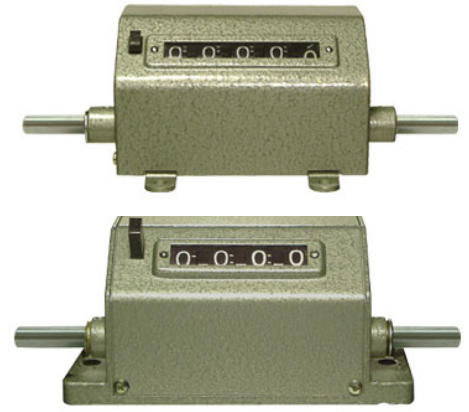



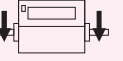
SP-101/102

MECHANICAL COUNTER

- REVOLUTION / DIRECT DRIVE TYPE
- 4 or 5 DIGITS DISPLAY
- DOUBLE SIDED INPUT SHAFT
- ROBUST BUILT FOR HEAVY DUTY APPLICATION
- PUSH BUTTON RESET



MODEL SELECTION

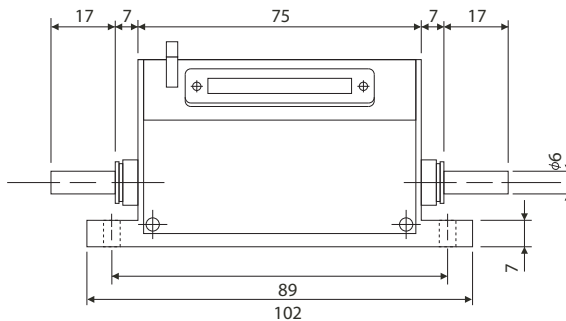
TYPE	DIGITS		
		TYPE I Top Going	TYPE II Top Coming
REVOLUTION (1 count / rev)	4	SP-101-4 (I)	SP-101-4 (II)
	5	SP-101-5 (I)	SP-101-5 (II)
DIRECT DRIVE (10 counts / rev)	4	SP-102-4 (I)	SP-102-4 (II)
	5	SP-102-5 (I)	SP-102-5 (II)

SPECIFICATIONS

Display	6 x 4mm (White on Black Background)
Input/Count Method	Shaft rotation (2 sides)
Starting Torque	RRevolution : 0.010 N·m (102gf·cm) Direct Drive : 0.020 N·m (204gf·cm)
Count Speed	Revolution : 3000 revolution / min. max. Direct Drive : 300 revolution / min. max.
Reset	Push Button
Operating Temperature	-5°C - +40°C (Non-Freezing)
Operating Humidity	85%RH maximum (Non-Condensing)

DIMENSIONS

SP-101-4 (I)
SP-101-4 (II)
SP-102-4 (I)
SP-102-4 (II)



SP-101-5 (I)
SP-101-5 (II)
SP-102-5 (I)
SP-102-5 (II)

