

MDR Series (Electronic Totalizing Counter)

INSTRUCTION MANUAL



MDR - 040MB



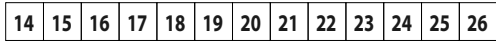
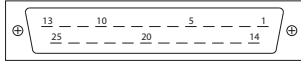
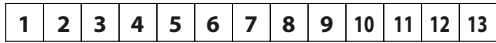
MDR - 060MB

- **TOTALIZER (ADD / SUBTRACTING) with BCD output**
- **LARGE BRIGHT LED DISPLAY**
- **FITS DIN 72 x 144mm**
- **EQUIPPED WITH INTERNAL SENSOR POWER SUPPLY**
- **WITH MEMORY**

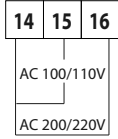
■ SPECIFICATIONS

Model	MDR - 040MB	MDR - 060MB
Number of Digits	4	6
Display	Red LED (14.22 x 8.13 mm) / Zero x suppress type	Red LED (10.16 x 5.54 mm) / Zero - suppress type
Power Supply	100 / 110 VAC · 200 / 220 VAC ±10% convertible · 50/60 Hz	
Power Consumption	4.5 VA	
Input	Non-Contact : " L " 0 - 1 V, " H " 4.5 - 27 VDC Direct (sensor) : DC 12V 50 mA maximum Switch Signal : Relay, microswitch, etc.	
Input Modes	90° Quadrature, Add / Subtract Individual Input	
Count Speed	Non-Contact : 5,000 cps / Switch Signal : 25 cps	
Pulse Width	Non-Contact : 100 µs / Switch Signal : 25mS	
Reset	Front Panel Reset (push button), Remote Reset (minimum 100ms)	
Memory	E2PROM (10 yrs. retention, 10,000 times)	
Power Supply (sensor)	DC 12V 50mA	
Output	BCD Output (Static Type) Reverse Logic Open Collector	
Input Impedance	5 KΩ	
Operating Temperature	0 - +40°C	
Operating Humidity	45 - 85%	
Test Voltage	1,500 VAC / minute	
Insulation Resistance	Minimum 20 MΩ (DC 500V megger)	
Terminal Connections	M3 screw (D-SUB25 Pin Connector for BCD Output)	
Weight	1000 grams	

CONNECTIONS



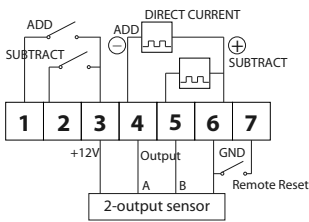
Power Supply



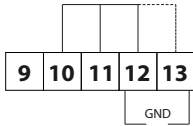
Input Inhibition



Input & Remote Reset



Input Mode & Memory



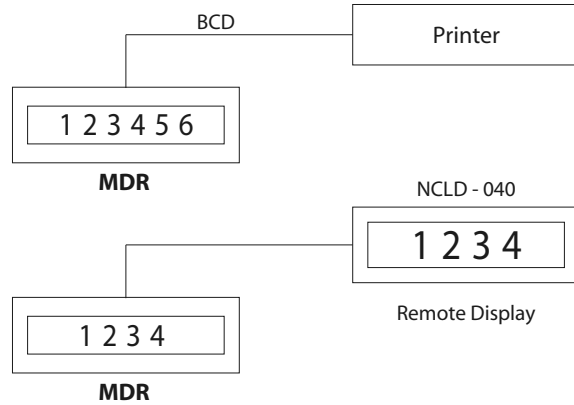
90° quadrature (10~12)
(disconnect for add/subtract input)

* When counter is not used for a long time,
disconnect the jumper between 11 ~ 12 to
prevent excessive battery drain.

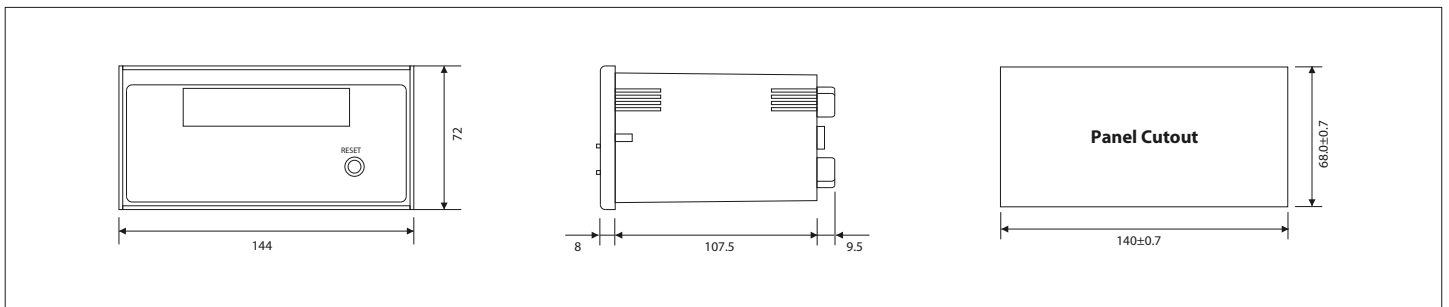
Terminal Number for BCD Outputs

Figure \ BCD	" 1 "	" 2 "	" 4 "	" 8 "
1	No. 1	No. 2	No. 3	No. 4
2	5	6	7	8
3	9	10	11	12
4	14	15	16	17
5	18	19	20	21
6	22	23	24	25

APPLICATIONS



DIMENSIONS - MILLIMETERS



LINE SEIKI CO., LTD

37-7, CHUO-CHO, 2-CHOME
MEGURO-KU, TOKYO
JAPAN 152-0001
TEL: +83-3-3716-5151
FAX: +83-3-3710-4552
E-MAIL: webtrade@line.co.jp
URL: http://www.line-seiki.com

This manual was last revised Mar.01, 2010.
*Subject to change without prior notice.
All Rights Reserved, Copyright © 2010, LINE SEIKI CO., LTD.