

GU SERIES

COUNTER / HOURMETER



PCB mount



24 × 48mm. panel mount



48 × 48mm. DIN rail mount

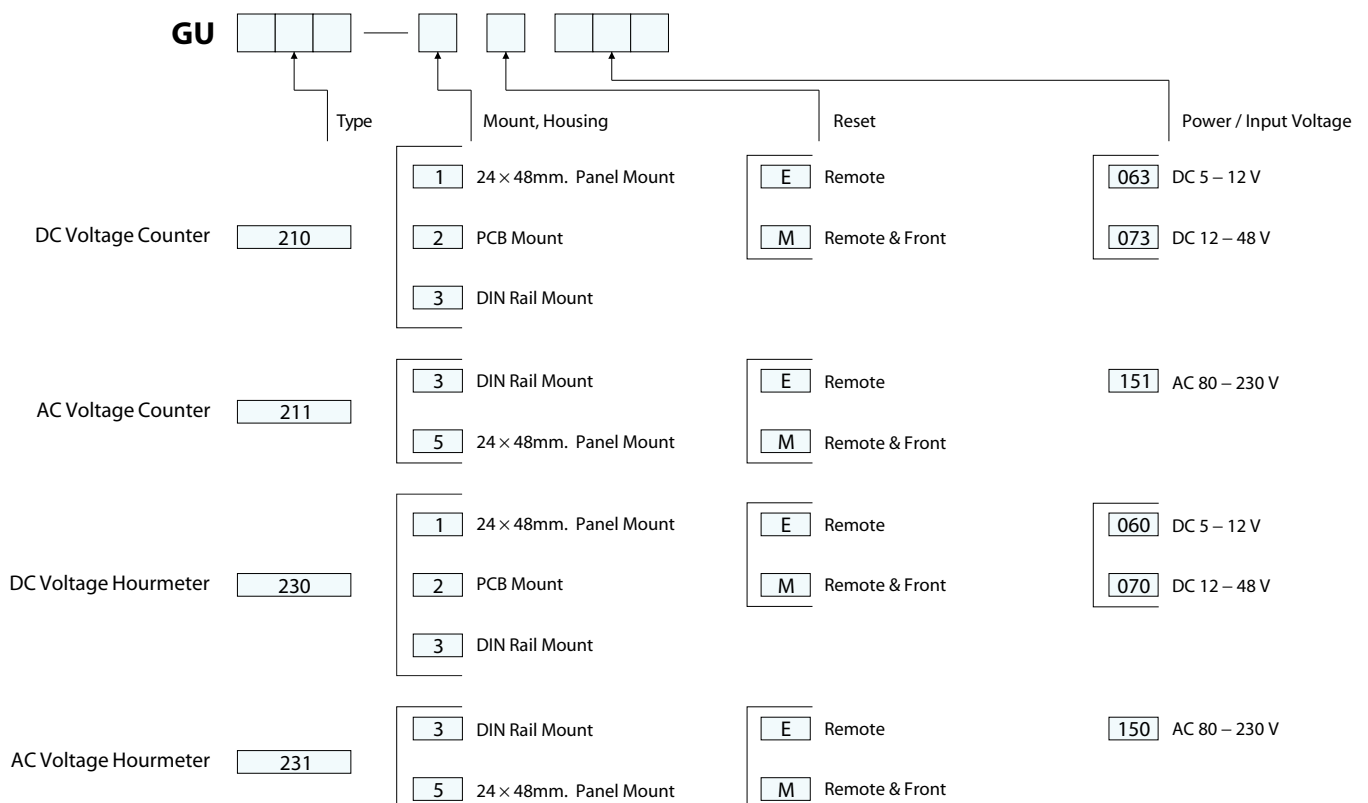
FEATURES

Using EEPROM, 25 years data retention available
 6 digits LCD, Low in Weight
 Wide Temperature Range, High Shock Resistance
 High Noise Immunity
 Low Power Consumption

MODELS

Model	Type	Mounting	Power / Input Voltage	Input Speed	Reset
GU210 – 2E063	Counter	PCB mount	5 – 12 VDC	500 Hz	Remote
GU210 – 2E073			12 – 48 VDC	500 Hz	Remote
GU210 – 1E063		24 × 48 mm Panel Mount	5 – 12 VDC	500 Hz	Remote
GU210 – 1M063			5 – 12 VDC	500 Hz	Remote / Front
GU210 – 1E073			12 – 48 VDC	500 Hz	Remote
GU210 – 1M073			12 – 48 VDC	500 Hz	Remote / Front
GU211 – 5E151			80 – 230 VAC	15 Hz	Remote
GU211 – 5M151			80 – 230 VAC	15 Hz	Remote / Front
GU211 – 3E063		48 × 48 mm DIN Rail Mount	5 – 12 VDC	500 Hz	Remote
GU211 – 3M063			5 – 12 VDC	500 Hz	Remote / Front
GU211 – 3E073			12 – 48 VDC	500 Hz	Remote
GU211 – 3M073			12 – 48 VDC	500 Hz	Remote / Front
GU211 – 3E151			80 – 230 VAC	15 Hz	Remote
GU211 – 3M151			80 – 230 VAC	15 Hz	Remote / Front
GU230 – 2E060	Hourmeter	PCB mount	5 – 12 VDC	————	Remote
GU230 – 2E070			12 – 48 VDC	————	Remote
GU230 – 1E060		24 × 48 mm Panel Mount	5 – 12 VDC	————	Remote
GU230 – 1M060			5 – 12 VDC	————	Remote / Front
GU230 – 1E070			12 – 48 VDC	————	Remote
GU230 – 1M070			12 – 48 VDC	————	Remote / Front
GU231 – 5E150			80 – 230 VAC	————	Remote
GU231 – 5M150			80 – 230 VAC	————	Remote / Front
GU230 – 3E060		48 × 48 mm DIN Rail Mount	5 – 12 VDC	————	Remote
GU230 – 3M060			5 – 12 VDC	————	Remote / Front
GU230 – 3E070			12 – 48 VDC	————	Remote
GU230 – 3M070			12 – 48 VDC	————	Remote / Front
GU231 – 3E150			80 – 230 VAC	————	Remote
GU231 – 3M150			80 – 230 VAC	————	Remote / Front

DETAILS OF MODEL CONSTRUCTION



ELECTRICAL SPECIFICATIONS

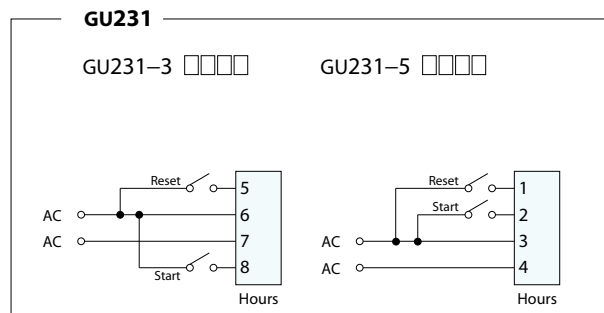
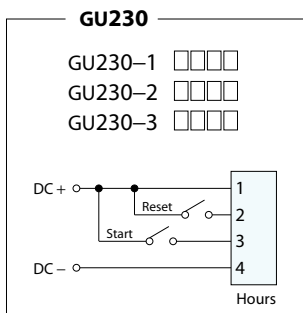
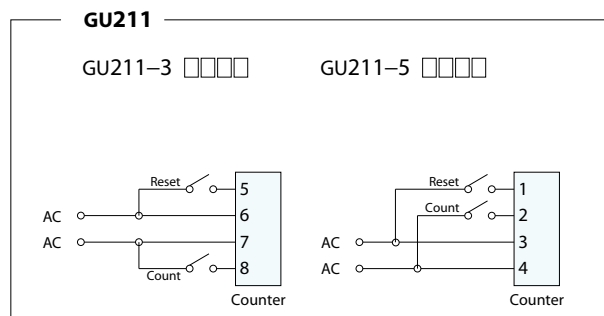
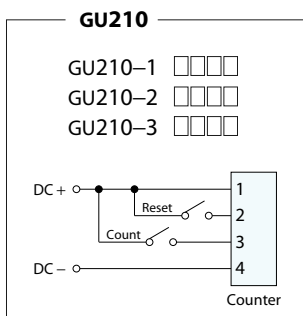
Type	Counter		Hourmeter	
Model	GU210	GU211	GU230	GU231
Display	7 segments LCD 5mm height Display at reset shows 00			
Number of Digits	0 ~ 999999		0.0 ~ 99999.9	
Signal Input	Voltage Input H : 0.8VDD L : 1V or less Count by falling edge	Voltage Input H : AC80V ~ Count by falling edge	Voltage Input H : 0.6VDD L : 1V or less	Voltage Input H : AC80V ~
Input Impedance	8 K Ω		8 K Ω	
Maximum Count Speed	500 Hz Duty 1 : 1	15 Hz Duty 1 : 1	1 count per 1/10 hour	
Reset Input	Voltage Input H : 0.8VDD L : 1V or less	Voltage Input H : AC80V ~	Voltage Input H : 0.8VDD L : 1V or less	Voltage Input H : AC80V ~
Reset Pulse Width	1 msec or more	20 msec or more	100 msec or more	20 msec or more
Power Consumption	35 ~ 150 mW	900 mVA	35 ~ 150 mW	900 mVA
Memory	EEPROM Data retention is minimum 25 years			
Noise Immunity	Pulse wave noise from Noise Simulator Width : 1 μ sec, Rising : 1nsec			
	\pm 500V	\pm 2000V	\pm 1000V	\pm 1000V
EMC Standard	EMI : EN50081 - 1 EMS : EN50082 - 2			

MECHANICAL / ENVIRONMENTAL SPECIFICATIONS

Vibration	0.75mm / 10 ~ 55Hz, XYZ			
Shock	30 G			
Operating Temperature	-30 ~ 65°C (Non-freezing)			
Operating Moisture	45 ~ 85 %RH (Non-condensing)			
Burn Specific ²⁾	Housing 1 : UL94-HB	Housing 2, 3, 5 : UL94-VO		
Safety of Front Panel ²⁾	Housing 1, 2, 5 : IP65	Housing 3 : IP30		
Weight ²⁾	Housing 1 : 28g	Housing 2 : 14g	Housing 3 : 50g	Housing 5 : 33g
Wiring ²⁾	Housing 1, 3, 5 : Screw Terminal		Housing 2 : PCB Mounting	

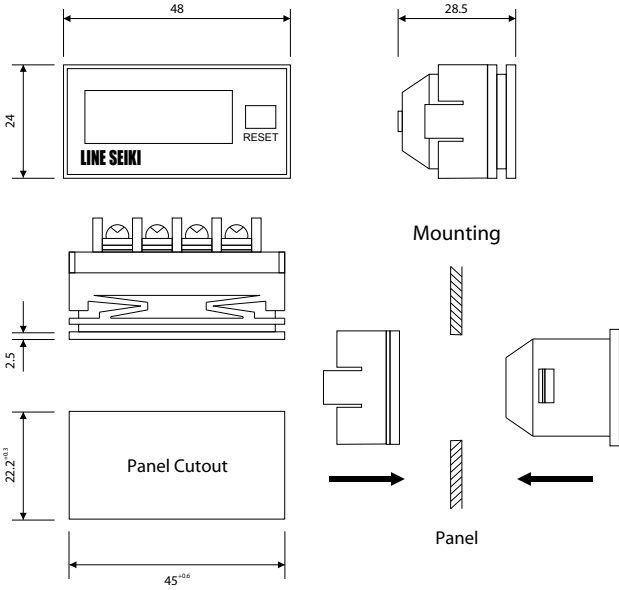
* 2) Regarding housing number, refer to 'Mount, Housing' showed in 'DETAILS OF MODEL CONSTRUCTION' in page 2.

WIRING

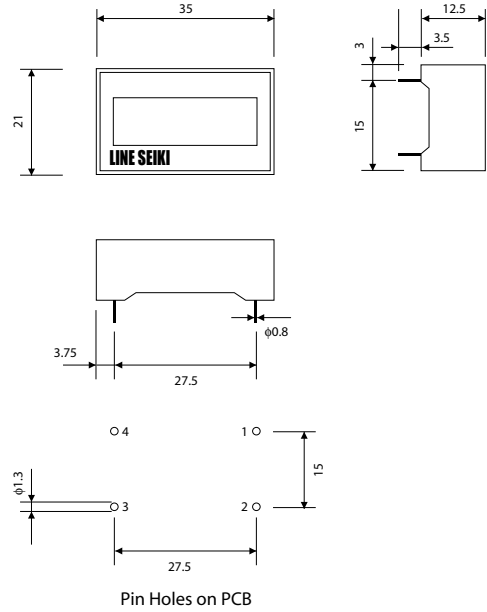


DIMENSIONS AND MOUNTING

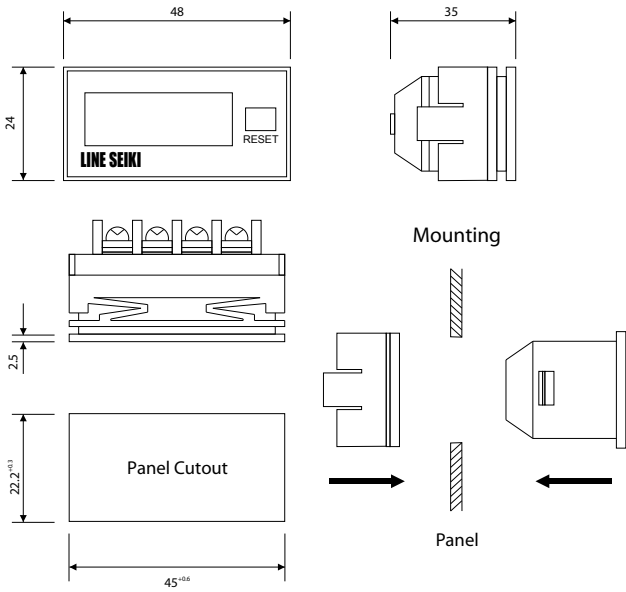
MODEL : GU210-1 □□□□
 GU230-1 □□□□



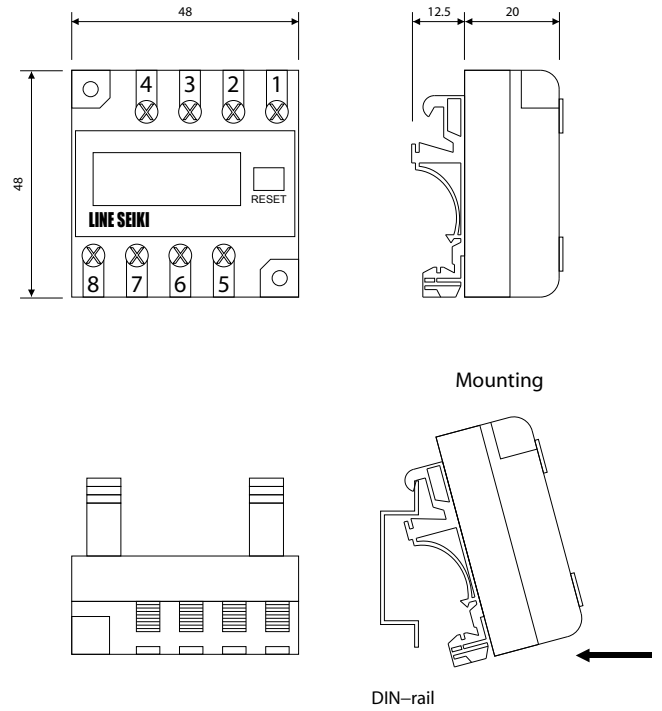
MODEL : GU210-2 □□□□
 GU230-2 □□□□



MODEL : GU211-5 □□□□
 GU231-5 □□□□



MODEL : GU210-3 □□□□
 GU211-3 □□□□
 GU230-3 □□□□
 GU231-3 □□□□



LINE SEIKI CO., LTD

37-7, CHUO-CHO, 2-CHOME
 MEGURO-KU, TOKYO
 JAPAN 152-0001
 TEL: +83-3-3716-5151
 FAX: +83-3-3710-4552
 E-MAIL: sales@line.co.jp
 URL: www.line.co.jp

* Specifications Subject to Change Without Prior Notice
 All Rights Reserved, Copyright © 2002
 Line Seiki Co., Ltd.
 2002.06.04.6270A