

G11 Series (Electronic Total Counter)

INSTRUCTION MANUAL



G11 - 201



G11 - 301

- ADD / SUBTRACT TOTAL COUNTER 4, 5 or 6 DIGIT MODELS AVAILABLE
- HIGH COUNT SPEED (10 KHz)
- LARGE LED DISPLAY WITH 14mm HIGH FIGURES (4 and 5 DIGIT MODELS)

■ MODELS

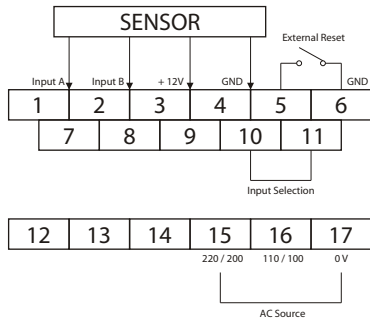
MODEL	NUMBER OF DIGITS	DISPLAY COLOR G = green, R = red	MEMORY
G11-101	4	R	×
G11-102		G	×
G11-103		R	○
G11-104		G	○
G11-201	5	R	×
G11-202		G	×
G11-203		R	○
G11-204		G	○
G11-301	6	R	×
G11-302		G	×
G11-303		R	○
G11-304		G	○

Contact input is a factory option.
 To order them, -001 should be added to the part number.
 Example : G11-101-001
 (G11-101, contact input)

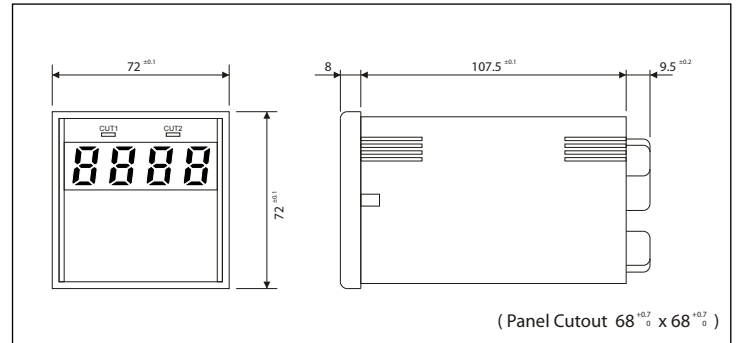
■ SPECIFICATIONS

Display	4 & 5 digit models : 14.22 (H) x 7.8 (W) 6 digit models : 10.16 (H) x 5.54 (W)	} 7 segment LED (red or green)
Count Input	Open Collector input (sink current : 7mA maximum) L : 0 - 2V, H : 6 - 30V Contact input available as factory option.	
Count Speed	10000 cps (Contact input : 20 cps)	
Pulse Width	> 50msec (Contact input : 25msec)	
Make (Duty)	1 : 1	
Input Mode	Quadrature input / individual add, subtract input (Simultaneous input not possible)	
Reset Input	Pulse Width : > 100 msec, Sink Current : 10 mA maximum Contact Input, Open Collector transistor input	
Power Source	100 / 110 VAC ± 10%, 200 / 220 VAC ± 10% 50/60 Hz Convertible	
Power Consumption	4.3 VA	
External Power Supply	12 VDC, 60 mA maximum	
Operating Temperature	-10 - +50°C (non-freezing)	
Operating Humidity	45 - 85% RH (non-condensing)	
Memory	E ² PROM	
Weight	550 grams	

■ TERMINAL WIRING



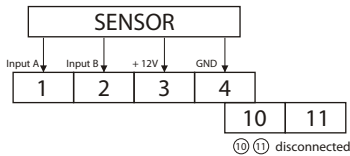
■ DIMENSIONS - MILLIMETERS



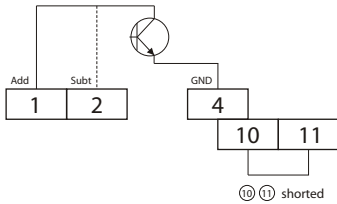
■ WIRING METHODS

• Input

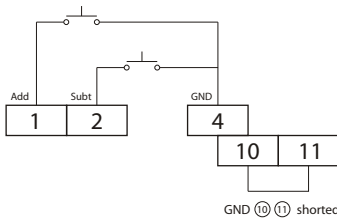
(1) 90° Quadrature Input (from rotary encoder, etc.)



(2) Individual Add / Subtract Input (Open Collector Input)

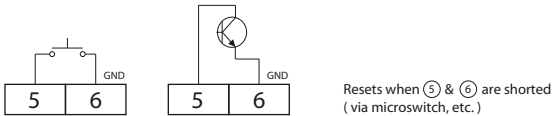


(3) Individual Add / Subtract Input (Contact Input)*

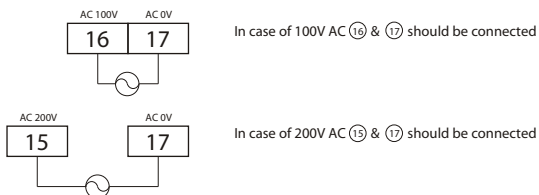


* Contact input (relay, microswitch, push button, switch, etc.) is a factory option.

• External Reset



• Power Source



■ DUSTPROOF COVER (OPTION)

In case of bad environmental conditions a dust / splashproof cover should be used.

If the cover is to be used, the panel cutout should be :
70mm x 70mm.