

DSP SERIES

MECHANICAL PRESET COUNTER

- REVOLUTION OR DIRECT DRIVE TYPE
- LARGE DIGIT DISPLAY (5 DIGITS)
- 2 PRESET LEVELS
- BUILT-IN MICROSWITCH
- EASY PRESETTING
- RESET BY LEVER STROKE



MODEL SELECTION

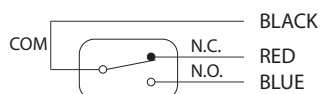
| TYPE | DIGITS | | | | | |
|--------------------------------|--------|---------------------------------------|---|--|--|---|
| | | TYPE I Shaft on right Top Going | TYPE II Shaft on right Top Coming | TYPE III Shaft on left Top Going | TYPE IV Shaft on left Top Coming | TYPE A Shaft at base Anti-clockwise |
| REVOLUTION (1 count / rev) | 5 | DSP - 15 (I) | DSP - 15 (II) | DSPL - 15 (III) | DSPL - 15 (IV) | DSP - 15A |
| DIRECT DRIVE (10 counts / rev) | | DSP - 25 (I) | DSP - 25 (II) | DSPL - 25 (III) | DSPL - 25 (IV) | ————— |

SPECIFICATIONS

| | |
|-----------------------|---|
| Display | 6.0 x 3.5mm (White on Black Background) |
| Preset Range | 1 - 99999 |
| Input/Count Method | Shaft rotation |
| Starting Torque | Revolution : 0.050N m (510gf-cm) Direct Drive : 0.130N m (1326gf-cm) |
| Count Speed | Revolution : 3000 rpm max. Direct Drive : 300 rpm max. |
| Output | Microswitch - Type 1C (AC250V 10A max.) x 2 |
| Reset | Lever |
| Operating Temperature | -5°C - +40°C (Non-Freezing) |
| Operating Humidity | 85%RH Muximum (Non-Condensing) |

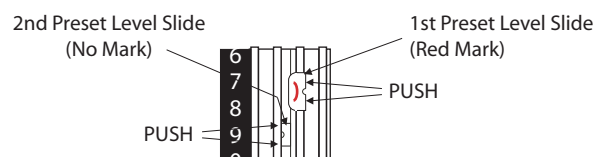
WIRING

This counter has 2 built-in Microswitch. The leadwires of these can be seen at the back side of the counter. Looking from the back side of the counter, the set of leadwires on the Left is for the 1st Preset Level (Red Marked slide) and the one on the Right is for the 2nd Preset Level (Non Marked slide). The below diagram shows the corresponding microswitch connection with respect to the leadwire colors.



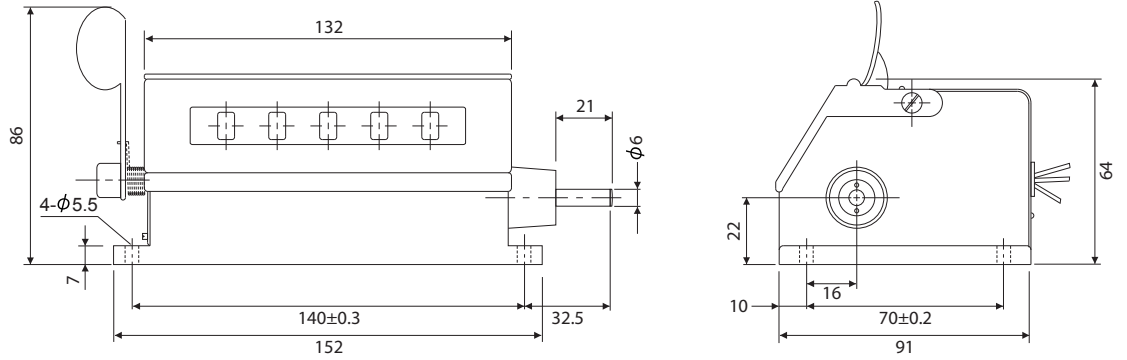
SETTING THE PRESET VALUE

1. Lift the cover of the counter.
2. While slightly pushing the reset lever, lift the plastic hook on the left most inside of the counter so that it will prevent the reset lever to return fully.
3. To set the 1st Preset Level, use the included plastic lever and insert the flat tip on the edge of the 1st Preset Level Slide as indicated below.
4. While the plastic lever is inserted, move the slide by sliding it up or down until the desired value of that particular digit is reached. Do the same for the rest of the digits.
5. After the desired number is set, pull out the plastic lever so that the slide will lock into the digit wheels.
6. Do the same to set the value of the 2nd Preset Level.

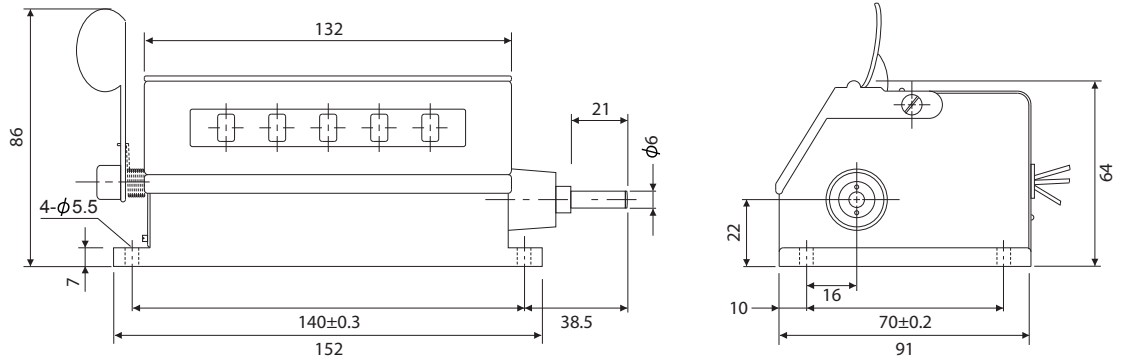


DIMENSIONS

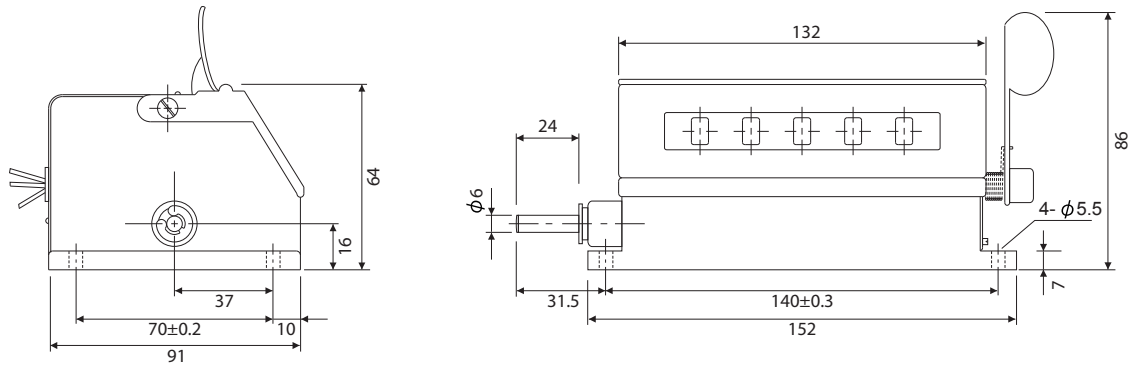
DSP-15 (I)
DSP-15 (II)



DSP-25 (I)
DSP-25 (II)



DSPL-15 (III)
DSPL-15 (IV)
DSPL-25 (III)
DSPL-25 (IV)



DSP-15A

