

CT SERIES

PULSE GENERATOR LINEAR MEASURING



CT (Switch contact output)

CT-A (Photoelectric sensor 1 output)

CT-R (Photoelectric sensor 2 outputs bidirectional type)

This device sends out a pulse signal for a meter, 0.1 meter, 1 centimeter, or 1 millimeter when its two measuring wheel are put on running materials such as cloth, paper, belt, metal sheet or plastic film, etc., or when the wheels are put on a roller rotating synchronously with a running material.

The linear measurement can be registered on an electric or electronic counter used with this device.

FEATURES :

This device can be installed at a most suitable place remote from the registering counter. With a preset counter, this device can control accurate cut-to-length or repetitive operations. As this device makes pulses on either rotation, it can be used to totalize the volume of bidirectional movements.

Model	Output	Unit	Speed	Proper Counter	Weight
CT-3:1	Microswitch	1m	400 m/minute	Electronic Counter Electromagnetic Counter	680g
CT-3:10		0.1m	40 m/minute		680g
CT-3:1A	Photoelectric Sensor 1 Output	1m	700 m/minute	Electronic Counter	690g
CT-3:10A		0.1m	500 m/minute		690g
CT-3:100A		1cm	250 m/minute		690g
CT-3:1000A		1mm	100 m/minute		710g
CT-3:1R	Photoelectric Sensor 2 Outputs (90° Quadrature Output)	1m	700 m/minute	Bidirectional Electronic Counter	730g
CT-3:10R		0.1m	500 m/minute		730g
CT-3:100R		1cm	250 m/minute		740g
CT-3:1000R		1mm	100 m/minute		740g

Operating Temperature (Non-Freezing)	-5°C - +40°C	Operating humidity (Non-Condensing)	85%RH maximum
--------------------------------------	--------------	-------------------------------------	---------------

Option : For heavier duty, ball bearing can be furnished on driving shaft of this device.

B should be added to model number. Ex. CT-3:10AB

* Please order type of measuring wheel. 2 pieces of measuring wheel for meter are equipped as standard accessories. Instead of those, 2 pieces of measuring wheel for yard or 1 piece of grooved wheel for meter are available.

SPECIFICATIONS

MODELS	OUTPUT	POWER SOURCE	CURRENT CONSUMPTION	OUTPUT IMPEDANCE	MAXIMUM LOAD CURRENT
CT-3:1, 3:10	1 Output	Microswitch, Capacity : AC250V • 10A cosφ = 1			
CT-3:1A, 10A, 100A	1 Output	DC 5~24V ± 10%	35 mA	3.9KΩ	100 mA
CT-3:1000A	1 Output	DC 5~12V ± 10%	20 mA	2KΩ	20 mA
CT-3:1R, 10R, 100R	2 Outputs (90° Quadrature)	DC 5~24V ± 10%	70 mA	3.9KΩ	100 mA
CT-3:1000R	2 Outputs (90° Quadrature)	DC 5~12V ± 10%	40 mA	2KΩ	20 mA

COMBINATION OF THE PULSE GENERATOR AND COUNTER

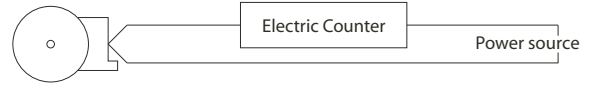
Select the most suitable counter to the pulse generator in accordance with measuring unit, speed or application

- For total numerical value
Use Model: CT with an electric totalizing counter or with one of our electronic totalizing counter (size of figures -14.22 × 8.13mm)
If larger reading is required.
Use Model: CT-A with an electronic totalizing counter on high speed application.
- Cut-to-length control
Use Model: CT with a predetermining electric counter to control cut-to-length. On high speed and hard operations, a predetermining electronic counter should be used with Model: CT-A.
- Repetitive operation control
To repeatedly put a marking at a specified length on running material or to control such very frequently repeated operations, use Model: CT-A with a predetermining electronic counter
- Bidirectional measuring and control
Use Model: CT-R with a bidirectional totalizing electronic counter or a bidirectional predetermining electronic counter.

* On measuring short length, the following should be noted.
ON and OFF ratio of output contact of this device is 1:1. For example, 0.5m-ON and 0.5m-OFF are for the measuring unit of a meter. Precisely there may be some difference between measured value on the counter and actual length of the material. Namely, the difference may be created with the measuring "start position" or the measuring "stop position" to be made shortly after or before ON/OFF of the output contact has been made. Therefore, it is recommended that you see the device for the measuring unit of 1 cm or 1 mm with an electronic counter in order to measure short length accurately.

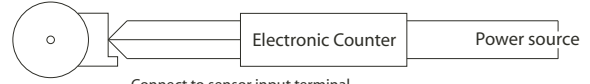
CONNECTION

- Model : CT (microswitch contact output)



Connect to contact input terminal (Non voltage)

- Model : CT-A (Photoelectric sensor 1 output)



Connect to sensor input terminal

Generator's connector (Front View)	
	A. Output
	B. GND
	C. Power Source

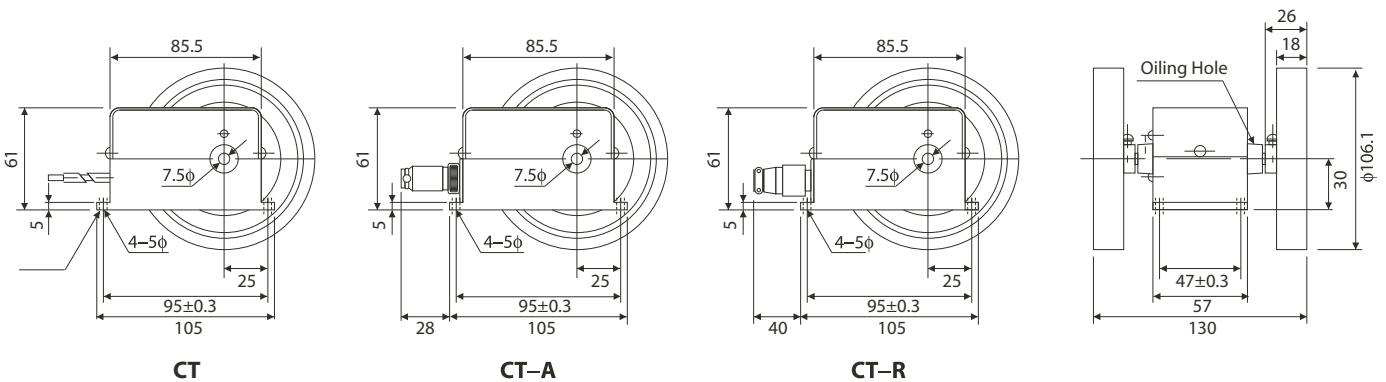
- Model : CT-R (Photoelectric sensor 2 outputs bidirectional type)



Connect to sensor input terminal

Generator's connector (Front View)		
	CT-3:1R / 1000R	CT-3:10R / 100R
	A. Power Source	A. Power Source
	B. Output A	B. Output B
	C. GND	C. GND
	D. Output B	D. Output A

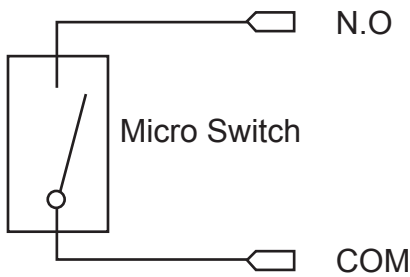
DIMENSIONS



■ Output Circuit

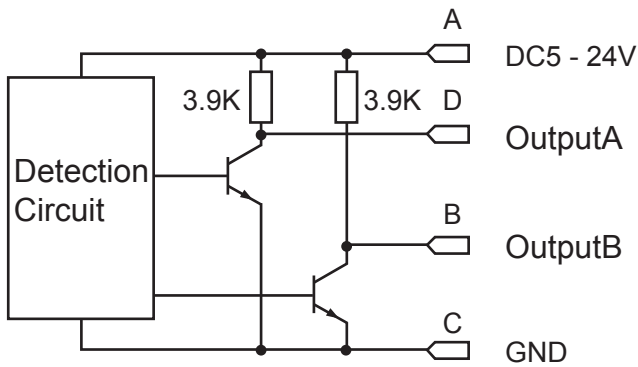
· CT TYPE

CT-3:1 / CT-3:10

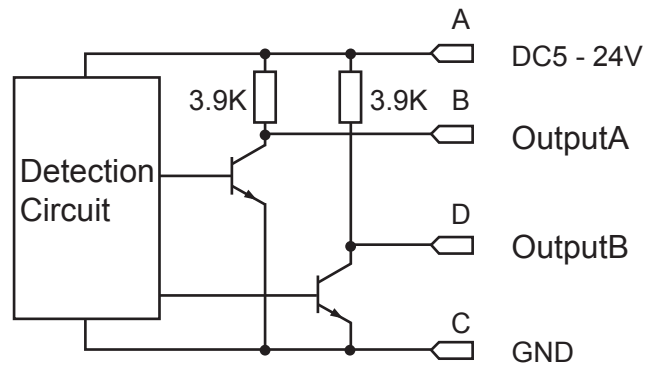


· CT-R TYPE

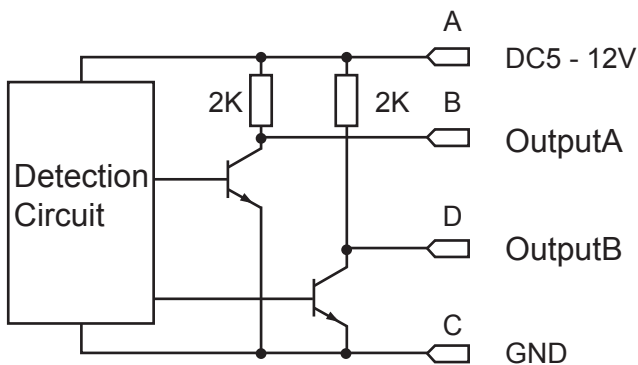
CT-3:10R / CT-3:100R



CT-3:1R

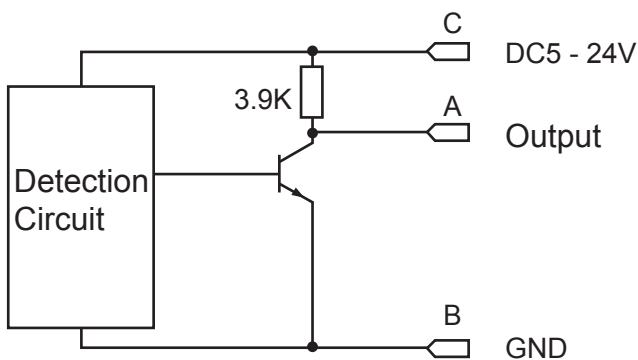


CT-3:1000R



· CT-A TYPE

CT-3:1A / CT-3:10A / CT-3:100A



CT-3:1000A

