

CR SERIES

LENGTH SENSOR PULSE GENERATOR

CR-AC / CR-A (Photoelectric sensor 1 output)

CR-RC / CR-R (Photoelectric sensor 2 outputs, bi-directional type)



This device sends out a pulse signal for 1 meter, 0.1 meter, or 0.01 meter when its two measuring wheels are put on running materials such as cloth, paper, belt, metal sheet or plastic film, etc., or when the wheels are put on a roller rotating synchronously with a running material.

The linear measurement can be registered on an electric or electronic counter used with this device.

FEATURES:

This device can be installed at a most suitable place remote from the registering counter. With a preset counter, this device can control accurate cut-to-length or repetitive operations. As this device makes pulses on either rotation, it can be used to totalize the volume of bidirectional movements.

MODEL

Model	Sensor	Unit	Speed	Weight	Proper Counter
CR-3:1AC	Photoelectric Sensor, 1 Non-contact Output (Open Collector Output)	1m [yard]	700meter [yard]/minute	605g	Electronic Counter
CR-3:10AC		0.1m [yard]	700meter [yard]/minute		
CR-3:100AC		0.01m [yard]	250meter [yard]/minute		
CR-3:1RC	Photoelectric Sensor, 2 Non-contact Outputs (Open Collector Output, 90° Quadrature Output)	1m [yard]	700meter [yard]/minute	610g	Bi-directional Electronic Counter
CR-3:10RC		0.1m [yard]	700meter [yard]/minute		
CR-3:100RC		0.01m [yard]	250meter [yard]/minute		
CR-3:1A	Photoelectric Sensor, 1 Non-contact Output (Voltage Output)	1m [yard]	700meter [yard]/minute	605g	Electronic Counter
CR-3:10A		0.1m [yard]	700meter [yard]/minute		
CR-3:100A		0.01m [yard]	250meter [yard]/minute		
CR-3:1R	Photoelectric Sensor, 2 Non-contact Outputs (Voltage Output, 90° Quadrature Output)	1m [yard]	700meter [yard]/minute	610g	Bi-directional Electronic Counter
CR-3:10R		0.1m [yard]	700meter [yard]/minute		
CR-3:100R		0.01m [yard]	250meter [yard]/minute		

SPECIFICATIONS

Models	Output	Power Source	Current Consumption	Output Voltage	Output Impedance	Maximum Load Current	Cable Type
CR-3:1AC, CR-3:10AC, CR-3:100AC	1 Output	DC5 - 24V (± 10%)	35mA	-	-	100mA	2-meters, Shielded Cable
CR-3:1RC, CR-3:10RC, CR-3:100RC	2 Outputs (90° Quadrature)		44mA	-	-		
CR-3:1A, CR-3:10A, CR-3:100A	1 Output		45mA	H: Power Supply Voltage -1V (min.) L: 0.5V (max.)	3.9kΩ		
CR-3:1R, CR-3:10R, CR-3:100R	2 Outputs (90° Quadrature)		55mA				

Rotation Torque	20mN·m	Operating Temperature	-5 - +40°C (Non-freezing)
Operating Humidity	35 - 85% (Non-Condensing)	Structure Protection	IP41 (IEC 60529)
Compliance	CE, RoHS		

ACCESSORY

Model : CR-AC Model : CR-A Model : CR-RC Model : CR-R	Measuring wheel for meter x 2	2 pieces of measuring wheel for meter are equipped as standard accessories. Alternatively, 2 pieces of measuring wheel for yard are available. Please order type of measuring wheel.
--	-------------------------------	--

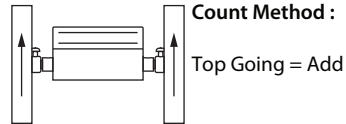
Measuring wheel for meter : Diameter 106.1mm (Circumference 1/3 meter), Surface material is Thermoplastic Rubber.

Measuring wheel for yard : Diameter 97.0mm (Circumference 1/3 yard), Surface material is Thermoplastic Rubber.

CONNECTION

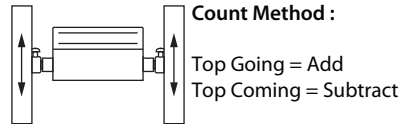
● Model : CR-AC / CR-A (1 output)

Wire color	
Red	DC Source
White	Output
Black	GND



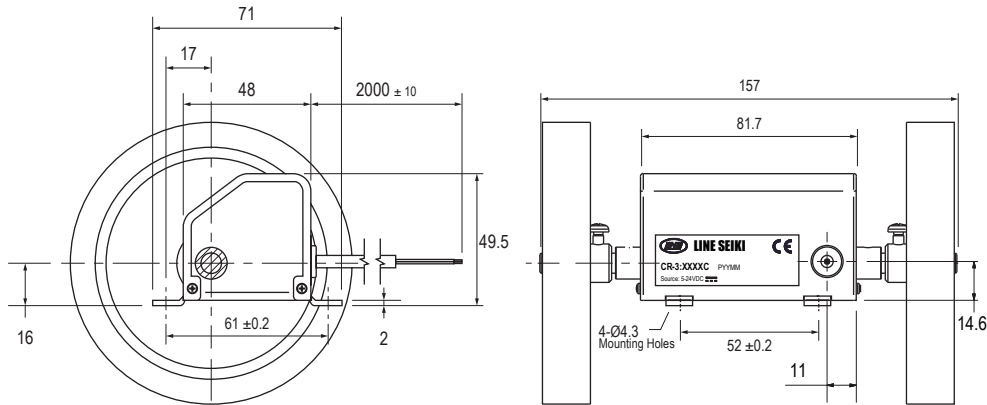
● Model : CR-RC / CR-R (2 outputs, Bi-directional)

Wire color	
Red	DC Source
White	Output A
Green	Output B
Black	GND



Note : If wiring for output A & B was reversed unintentionally, counting method will also be reversed.

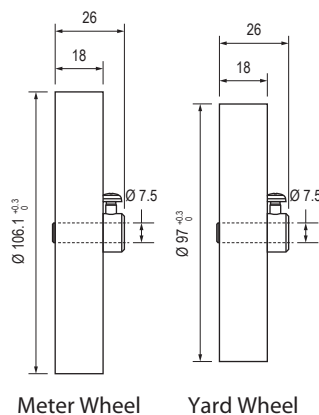
DIMENSION



● Wheels

Measuring wheels are subject to slippage due to normal wear and tear caused by continuous usage. This may cause measuring discrepancies. Please check the wheels periodically and replace them with new ones when necessary.

	Meter Wheel	Yard Wheel
UNIT OF MEASURE	Meters	Yard
MODEL	MRM096	MRM097
TYPE OF SURFACE	Plain	
MATERIAL OF SURFACE	Thermoplastic Rubber	



This catalog was last revised Jun. 15 2023.

*Specifications and printed contents are subject to change without prior notice.

All Rights Reserved, Copyright © 2023, LINE SEIKI CO.,LTD.



LINE SEIKI CO., LTD.

37-7 Chuo-cho, 2-Chome
Meguro-ku, Tokyo 152-0001 Japan
Please visit our company website for contact details
webtrade@line.co.jp
<https://www.lineiseiki.com>