

TACHOMETER FOR SMARTPHONE EXCLUSIVE USE INSTRUCTION MANUAL SM-T100

Thank you for purchasing our SM-T100, Tachometer for Smartphone exclusive use.
Please read this instruction manual carefully before using to ensure the safe and correct usage of this device.
Please keep this instruction manual for future reference.



WARNING

Please note that misuse of this device may lead to injury to the user or damage to the device.

Customer Service



LINE SEIKI CO., LTD.

Address: 37-7 Chuo-cho, 2-Chome
Meguro-ku, Tokyo 152-0001 Japan
Contact: Please visit our company website for contact details.
E-mail : webtrade@line.co.jp Website : <https://www.lineseiki.com>

Safety Precautions

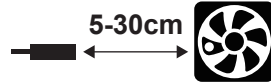
For safe usage of this device, observe all statements regarding precautions and warnings in this instruction manual.



Attention

- Do not use this device near machines that emit strong electromagnetic fields or objects that store static electricity.
- Do not drop this device or make a strong impact on it.
- This device is not waterproof. Avoid measuring in water or liquid, or any places where water splash is anticipated.
- Do not leave this device, for example in a car, during the daytime of sunny day.
- Do not use or store the device where it can be exposed to direct sunlight, dust, high temperature and high humidity.
- Inspect the device before conducting measurement.
- Do not attempt to disassemble or modify this device.
- Be careful not to be pulled into the measuring object.

Main unit should be within 30-cm distance from the measuring object.



1. Before Starting Measurement

- 1) Prepare an Android device hooked up to the Internet
SM-T100 is designed to be connected to an Android device and to use its screen for operation and display. Therefore, it requires an Android device and the Internet connection to install the dedicated app "Smart Tacho".
For the installation of Smart Tacho, read out the 2D barcode above, or search "Smart Tacho" in Google Play.

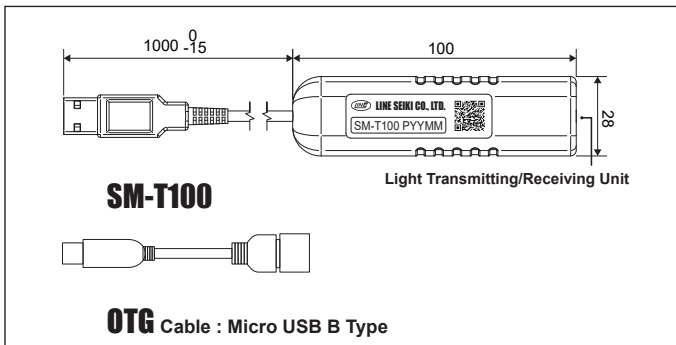


- 2) Paste Reflective Tape to Measuring Object

Cut off the reflective tape, that comes with SM-T100, into 1 to 3-cm length piece.
Peel off the craft paper on the reverse side, and paste the reflective tape to the rotating object.

- * NOTE: Wipe off the oil or stain from the place where the reflective tape will be attached.
- NOTE: Attach the reflective tape as close as possible to the outer circumference of the rotating object.

2. Parts & Functions



3. How to Conduct Measurement

- 1) Launch the app "Smart Tacho" on your Android device, and then connect SM-T100 to the Android device via OTG cable.
A message will pop up on the screen, saying "Open Smart Tacho when this USB device is connected?"
If you accept to "Use by default for this USB device" by checking the box and tapping OK, the app will automatically start on connecting SM-T100 to your Android device from next time.
- 2) Tap "START" on the screen of your Android device.
- 3) Make sure that the distance from SM-T100 to the reflective tape on the rotating object is between 5 cm to 30 cm, and that the incidence angle of the light is within +/- 30 degrees.
If SM-T100 detects rotation, "on target" mark (☞) and measured

- 4) value will be displayed on the screen of your Android device.
For more information about the usage of the
- 5) Android app "Smart Tacho," please refer to the manual of the app downloadable at the following link:



<https://www.lineseiki.com/wp-content/uploads/2023/03/SmarttachomanualE.pdf>

*NOTE

- ⊙ Your Android device should support USB On-The-Go (OTG) or USB host mode.
- ⊙ Please check by yourself if your Android device supports OTG (USB host). We do not provide support.
- ⊙ If your Android device requires a Micro USB C Type, please prepare a Micro USB C Type OTG cable available on the market.
- ⊙ A converter (Micro C Type → B Type) cannot be used.
- ⊙ Sometimes measuring value can be displayed on the screen even without using the Reflective Tape. However, for precise measurement, make sure to use the Reflective Tape.
- ⊙ Make sure that the Reflective Tape on the rotating object will not receive any intermittent light from strobe, fluorescent bulb, etc.
- ⊙ Before actuating the rotating object, expose the light on the Reflective Tape, tap "START", and confirm 0.0 RPM is displayed on the screen.
- ⊙ Measuring value other than 0.0 RPM will be displayed if the measurement is affected by external light. In this case, change the position of SM-T100 or block the external light.

4. Storage

When storing this device, avoid areas which are very humid, exposed to direct sunlight, under high temperature, subject to vibration, dusty, dirty, saline, subject to corrosive gases.

5. Calibration

SM-T100 cannot be calibrated, because measuring values are calculated and displayed on an Android device.

6. Specifications for SM-T100 and the app "Smart Tacho"

Measuring Range	60.0 - 60000.0 r/min, 1.00 - 1000.00 r/s (During overrange: 0.0 r/min 0.0 r/s)
Measurement Unit	r/min, r/s
Resolution	0.1 r/min, 0.01 r/s
Accuracy	±0.10% ±1 digit r/min, r/s
Sampling Time	1.0 - 2.0 seconds
Display on the app	Measuring Value: 6 digits On Target: (☞) Unit Selection: RPM/RPS
Measuring Method & Distance	Non-contact 50 to 300 mm with the Reflective Tape Start/Stop Measurement, Switch Unit,
Operation on the app	Save Measuring Values, Tapping Tone On/Off, Current Location On/Off
Power Supply	From connected Android device
Operating Temp.	5 to 40°C (Non-freezing)
Storage Temp.	-10 to +60°C (Non-freezing)
Dimensions	Main Unit: 100 (L) x 28 (W) x 21.5 (D) mm, Cable length: approx. 1m
Weight	approx. 55 g (incl. OTG Cable)
Accessories	Manual, Reflective Tape, OTG Cable
Compliance	RoHS
Applicable USB	Micro B Type (via OTG Cable)

This manual was last revised Apr. 7, 2026.

*Specifications and printed contents are subject to change without prior notice.
All Rights Reserved, Copyright © 2026, LINE SEIKI CO., LTD.