

# RY SERIES

# MWC SERIES

## MEASURING COUNTER



RY series

MWC series

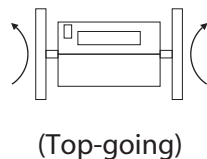
### DESCRIPTION

These measuring counters are suitable for measuring cloth, paper, etc. Rolling 1/3 meter (or yard) wheels make the counter additive or subtractive, and reset to zero can be done easily by knob. Both RY and MWC series can stand high speed of rotation. RY series are heavy duty type, and MWC is economy type.

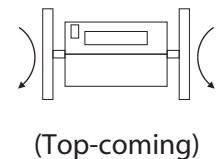
### ROTATION FOR ADDITIVE

#### RY series

RY-3:10-4 (I)  
 RY-3:10-5 (I)  
 RY-3:100-4 (I)  
 RY-3:100-5 (I)

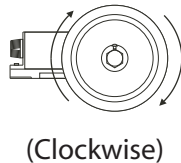


RY-3:10-4 (II)  
 RY-3:10-5 (II)  
 RY-3:100-4 (II)  
 RY-3:100-5 (II)

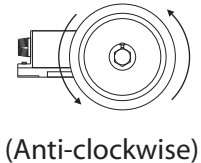


#### MWC series

MWC-3:1-5 (I)  
 MWC-3:10-5 (I)



MWC-3:1-5 (II)  
 MWC-3:10-5 (II)



### SPECIFICATIONS

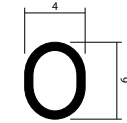
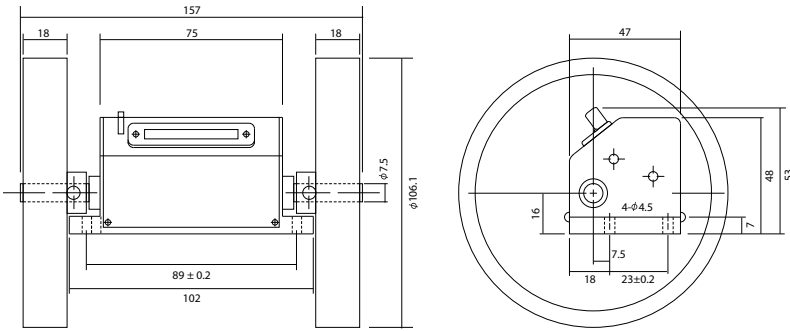
Operating Temperature	5°C - +40°C	Operating Humidity	85%RH maximum	Remarks	Non-Freezing, Non-Condensing
-----------------------	-------------	--------------------	---------------	---------	------------------------------

Models	Figures	Rotations for Additive	Unit of Measurements	Measuring Range	Maximum Count Speed	Starting Torque	Color of Figure	Weight
RY-3:10-4 (I)	4	Top-going	0.1 meter (yard)	0.1 - 999.9m (yard)	300 meter (yard)/min	0.015N m(153gf-cm)	First figure is Yellow on Black background. Others are White on Black background.	680 g
RY-3:10-4 (II)	4	Top-coming	0.1 meter (yard)	0.1 - 999.9m (yard)	300 meter (yard)/min	0.015N m(153gf-cm)		680 g
RY-3:10-5 (I)	5	Top-going	0.1 meter (yard)	0.1 - 9999.9m (yard)	300 meter (yard)/min	0.015N m(153gf-cm)	First and second figures are Yellow on Black background. Others are White on Black background.	730 g
RY-3:10-5 (II)	5	Top-coming	0.1 meter (yard)	0.1 - 9999.9m (yard)	300 meter (yard)/min	0.015N m(153gf-cm)		730 g
RY-3:100-4 (I)	4	Top-going	0.01 meter (yard)	0.01 - 99.99m (yard)	30 meter (yard)/min	0.020N m(204gf-cm)	First and second figures are Yellow on Black background. Others are White on Black background.	680 g
RY-3:100-4 (II)	4	Top-coming	0.01 meter (yard)	0.01 - 99.99m (yard)	30 meter (yard)/min	0.020N m(204gf-cm)		680 g
RY-3:100-5 (I)	5	Top-going	0.01 meter (yard)	0.01 - 999.99m (yard)	30 meter (yard)/min	0.025N m(255gf-cm)	First and second figures are Yellow on Black background. Others are White on Black background.	730 g
RY-3:100-5 (II)	5	Top-coming	0.01 meter (yard)	0.01 - 999.99m (yard)	30 meter (yard)/min	0.025N m(255gf-cm)		730 g
MWC-3:1-5 (I)	5	Clockwise	1 meter (yard)	1 - 99999m (yard)	300 meter (yard)/min	0.015N m(153gf-cm)	All figures are on Black background.	545 g
MWC-3:1-5 (II)	5	Anti-clockwise	1 meter (yard)	1 - 99999m (yard)	300 meter (yard)/min	0.015N m(153gf-cm)		545 g
MWC-3:10-5 (I)	5	Clockwise	0.1 meter (yard)	0.1 - 9999.9m (yard)	30 meter (yard)/min	0.015N m(153gf-cm)		545 g
MWC-3:10-5 (II)	5	Anti-clockwise	0.1 meter (yard)	0.1 - 9999.9m (yard)	30 meter (yard)/min	0.015N m(153gf-cm)		545 g

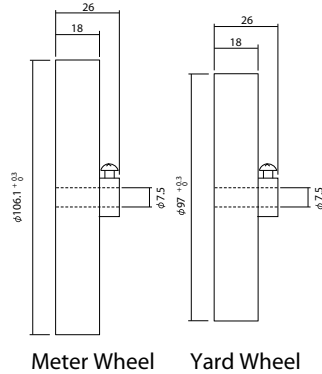
2 pieces of wheels are furnished as standard accessories. When you order, please specify type of wheels (meter or yard). Please pay attention to the copy products in the market.

## DIMENSIONS AND WEIGHT

### RY-3:10-4 · 3:100-4



WHEEL

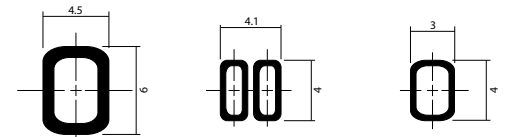
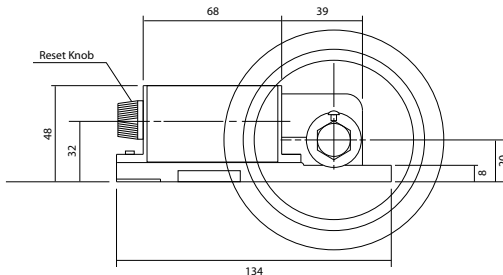
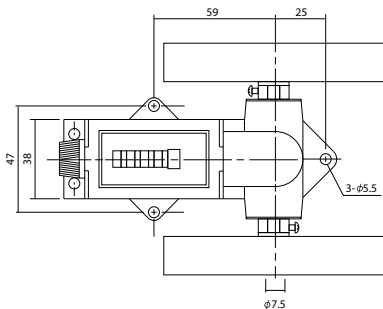


Meter Wheel Yard Wheel

Rubber pulleys are subject to slip for wear in the long usage. It will cause measuring discrepancies. Please check the pulleys sometimes and exchange to new ones.

UNIT OF MEASURE	MODEL	TYPE OF SURFACE	MATERIAL OF SURFACE
Meters	MRM096	Plain	Elastomer
Yard	MRM097	Plain	Elastomer

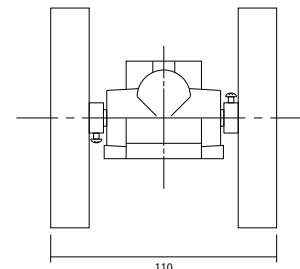
### MWC-3:1-5 MWC-3:10-5



2nd-5th wheel

1st wheel for MWC-3:10-5

1st wheel for MWC-3:1-5



This catalog was last revised Sep. 21, 2021.

\*Subject to change without prior notice.

All Rights Reserved, Copyright © 2021, LINE SEIKI CO., LTD.



**LINE SEIKI CO., LTD.**

37-7 Chuo-cho, 2-Chome  
Meguro-ku, Tokyo 152-0001 Japan  
Please visit our company website for contact details  
webtrade@line.co.jp  
<https://www.lineiseiki.com>