

MDR Series (Bidirectional Electronic Counter)

INSTRUCTION MANUAL



MDR - 040M

MDR - 060M

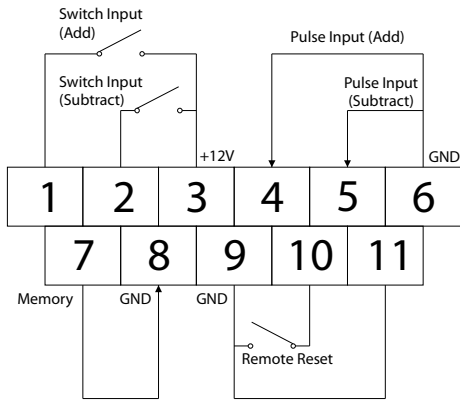


- LARGE BRIGHT LED DISPLAY.
- FITS DIN 72 x 144mm PANEL.
- SWITCH OR PULSE INPUT ARE AVAILABLE.
- OPERATING MODES SELECTABLE ON REAR TERMINALS.
- A POWER SUPPLY MODULE IS BUILT-IN FOR INPUT DEVICES OR POWER SOURCE APPLICATION.
- DURING POWER FAILURES, THE STAND-BY POWER SUPPLY HOLDS THE COUNT DATA IN THE MEMORY FOR MORE THAN
- 200 HOURS.
- INPUT CAN BE INHIBITED THROUGH A TERMINAL CONNECTION.

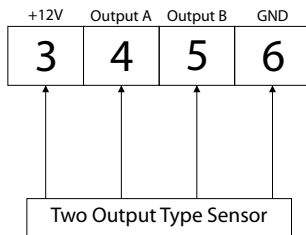
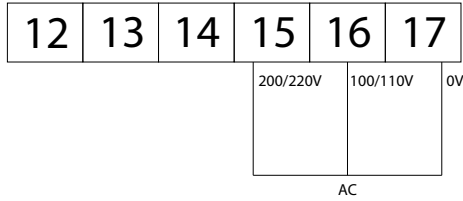
■ SPECIFICATIONS

Model	MDR - 040M	MDR - 060M
Number of Digits	4	6
Display	Red LED 14.22 x 8.13 mm	Red LED 10.16 x 5.54 mm
Power Supply	100 / 110 VAC · 200 / 220 VAC ±10% convertible · 50/60 Hz	
Power Consumption	3.5 VA	
Input	Non-Contact : " L " 0 - 1 V, " H " 4.5 - 27 VDC Direct (sensor) : DC 12V 50 mA maximum Switch Signal : Relay, microswitch, etc.	
Input Modes	Bidirectional 90° Quadrature, Add / Subtract Individual Input	
Count Speed	Non-Contact : 5,000 cps / Switch Signal : 25 cps	
Pulse Width	Non-Contact : 100 µs / Switch Signal : 25mS	
Reset	Front Panel Reset (push button), Remote Reset (minimum 100ms)	
Memory	200 Hours (25°C)	
Power Supply (sensor)	DC 12V 50mA	
Output	None	
Input Impedance	5 KΩ	
Operating Temperature	0 - 40°C	
Operating Humidity	45 - 85%	
Test Voltage	1,500 VAC (1 minute)	
Insulation Resistance	Minimum 20 MΩ (DC 500V megger)	
Terminal Connections	M3 screw terminal	
Weight	530 grams	

CONNECTIONS



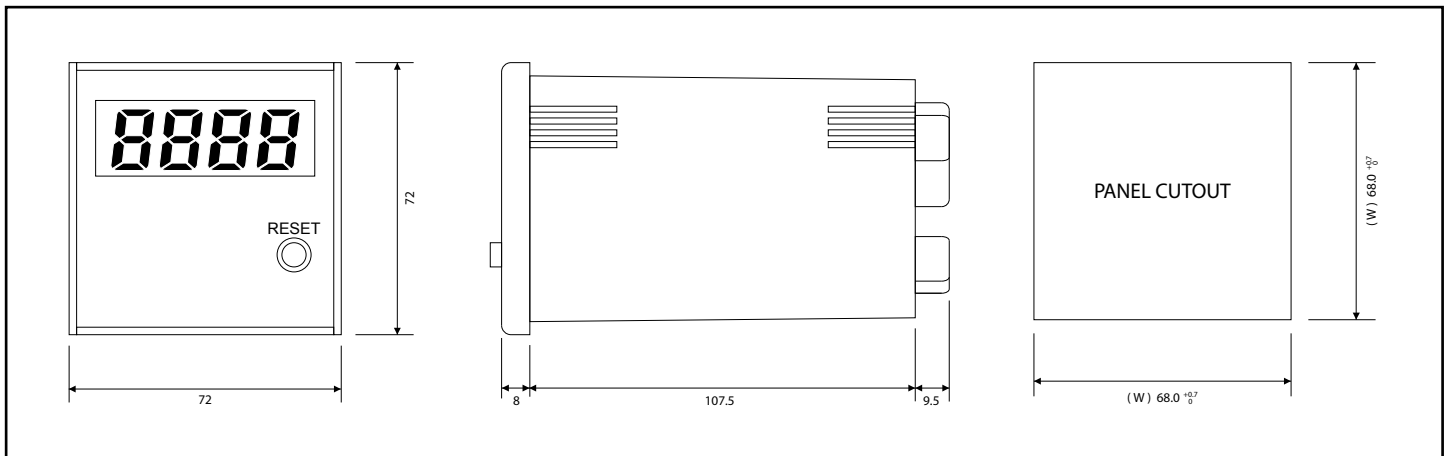
* Add a jumper between 9 and 11 for 90° quadrature input. Disconnect the jumper between 9 and 11 for other input modes.



CAUTION

- Do not apply voltage to switch input terminal or remote reset terminal.
- The display is blanked, input or reset is inhibited.
- Switch and sensor inputs cannot be used at the same time.
- Subtracting and adding inputs cannot be used at the same time.
- Use shielded cable for input or reset, and also use shielded cable on other longlines.
- Mount the counter, as far as possible, away from motor starters, large relays, etc.

DIMENSIONS - MILLIMETERS



LINE SEIKI CO., LTD

37-7, CHUO-CHO, 2-CHOME
MEGURO-KU, TOKYO
JAPAN 152-0001
TEL: +83-3-3716-5151
FAX: +83-3-3710-4552
E-MAIL: webtrade@line.co.jp
URL: http://www.lineseiki.com

This manual was last revised Feb.06, 2003.
*Subject to change without prior notice.
All Rights Reserved, Copyright © 2003, LINE SEIKI CO., LTD.