

GC2/GH2/GM2/GS2 Series

Instruction Manual

Thank you for purchasing this Line Seiki product.
Please read this instruction manual carefully before using to ensure correct usage of this product.
Please keep this instruction manual for future reference.

● Main Features

- Panel mount(50.0 x 25.0mm)
- 6 / 8 digits LCD display
- Lithium battery included
- Battery life 7 years
- IP54 Front Panel protection level
- In conformance to CE (EMC), RoHS and UL 863



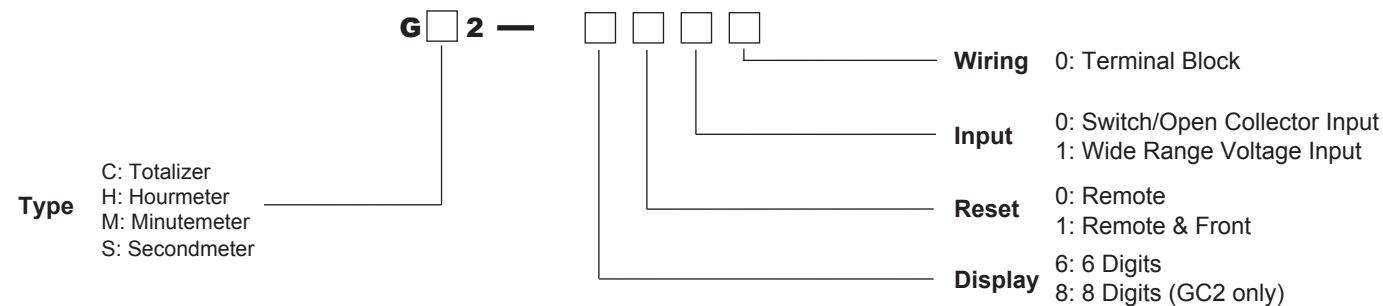
WARNING Please note that misuse of this device may lead to injury to the user or damage to the device.

Customer Service

LINE SEIKI CO., LTD.

Address: 37-7 Chuo-cho, 2-Chome
Meguro-ku, Tokyo 152-0001 Japan
Contact : Tel: +81-3-37165151 Fax: +81-3-37104552
E-mail : webtrade@line.co.jp
Web : http://www.line-seiki.com

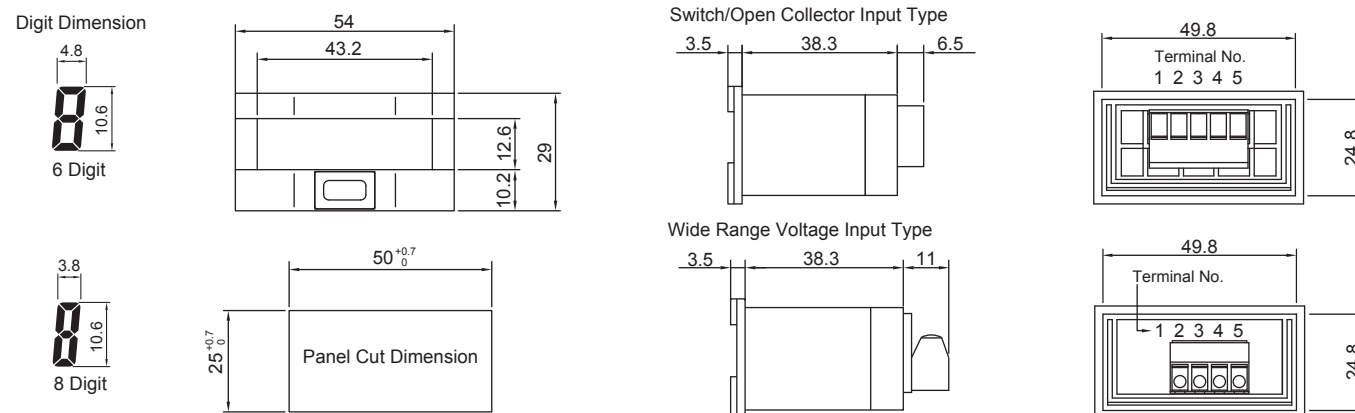
■ Models



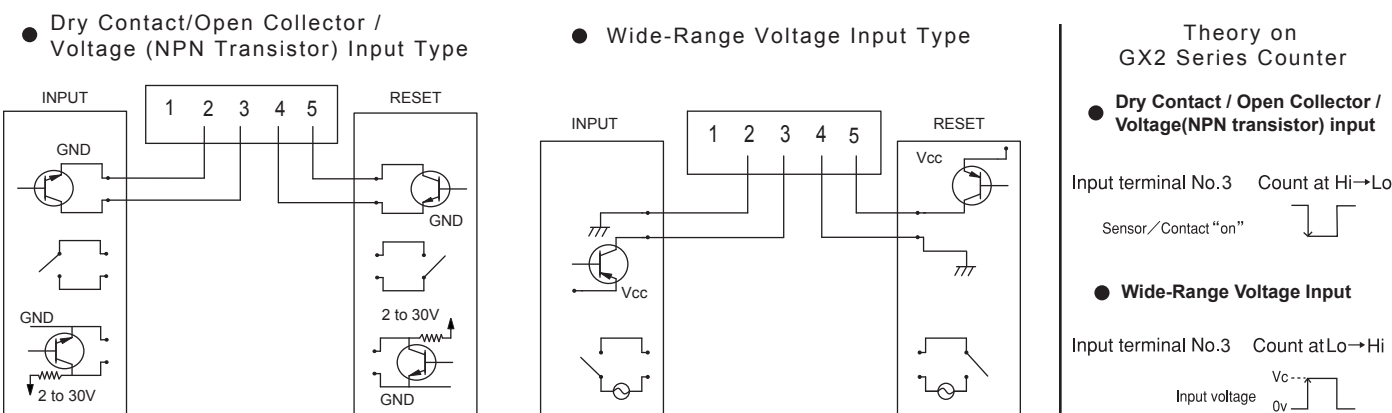
■ Specifications

TYPE	GC2 TOTALIZER	GH2 HOURMETER	GM2 MINUTEMETER	GS2 SECONDMETER
DISPLAY	6/8 Digits, 7-Segment LCD 10.6mm (H)	6 Digits, 7-Segment LCD 10.6mm (H)		
DISPLAY DIGIT	0 - 999999 / 0 - 99999999	0.0 - 99999.9		
INPUT	Switch / Open Collector Wide Range Voltage	L: < 0.8V H: < 2 - 30V L:DC / AC 0 - 5V H:DC / AC 20 - 250V	Sink Current: 8μA Input Impedance: 300kΩ	
COUNT SPEED	30 Hz 20Hz (Wide Range Voltage Input Only)	—		
RESOLUTION	—	1 count per 1/10 hour	1 count per 1/10 minute	1 count per 1/10 second
RESET	Front Reset Remote Reset	Switch/Open Collector Wide Range Voltage	L: < 0.8V H: < 2 - 30V L:DC/AC 0 - 5V H:DC/AC 20 - 250V	Sink Current: 8μA Input Impedance: 300kΩ
RESET PULSEWIDTH	6ms minimum			
POWER	3.6V 1/2AA Lithium Battery (replaceable), 7 years min. with continuous input at 25°C *The battery life is not a guaranteed value.			
NOISE IMMUNITY	Electrostatic Discharge: IEC-61000-4-2 8kV Electromagnetic Field: IEC-61000-4-3 10V/m EFT/BI/O Leads: IEC-61000-4-4 1.0kV			
EMC STANDARD	EMI: EN50081-2 EMS: EN50082-2			
AMBIENT TEMP. : OPERATING	-10 - +55°C (Should not be Frozen)			
AMBIENT TEMP. : STORAGE	-20 - 65°C (Should not be Frozen)			
AMBIENT HUMID. : OPERATING	25 - 85% RH (Non-Condensing)			
VIBRATION / SHOCK RESISTANCE	Operation : Single Amplitude 0.35mm, Frequency: 10 - 55Hz, X, Y, Z Axis (3 Axis) / 100m/s ² Storage : Single Amplitude 0.75mm, Frequency: 10 - 55Hz, X, Y, Z Axis (3 Axis) / 300m/s ²			
ALTITUDE	2,000m max.			
INSTALLATION ENVIRONMENT	Over-voltage category II , Pollution degree 2 (IEC61010-1)			
PROTECTION	IP54			
WEIGHT	60g (Battery included)			
WIRING	14-22 AWG Leadwires by Terminal Screw			
COMPLIANCE	RoHS, UL863, CE			

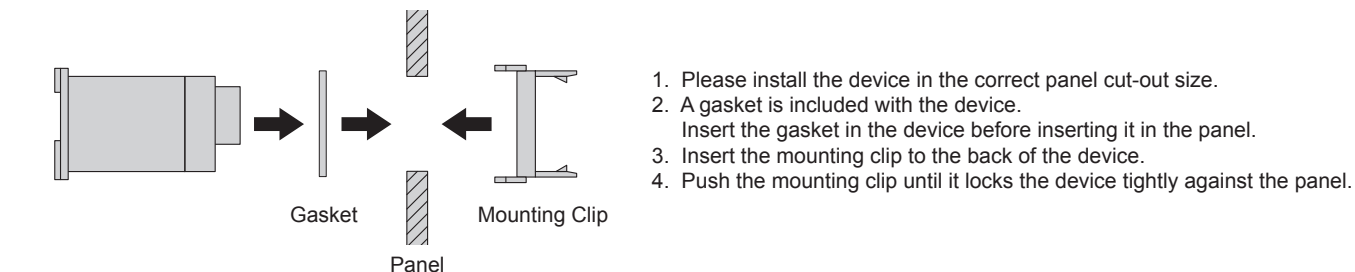
■ Dimensions



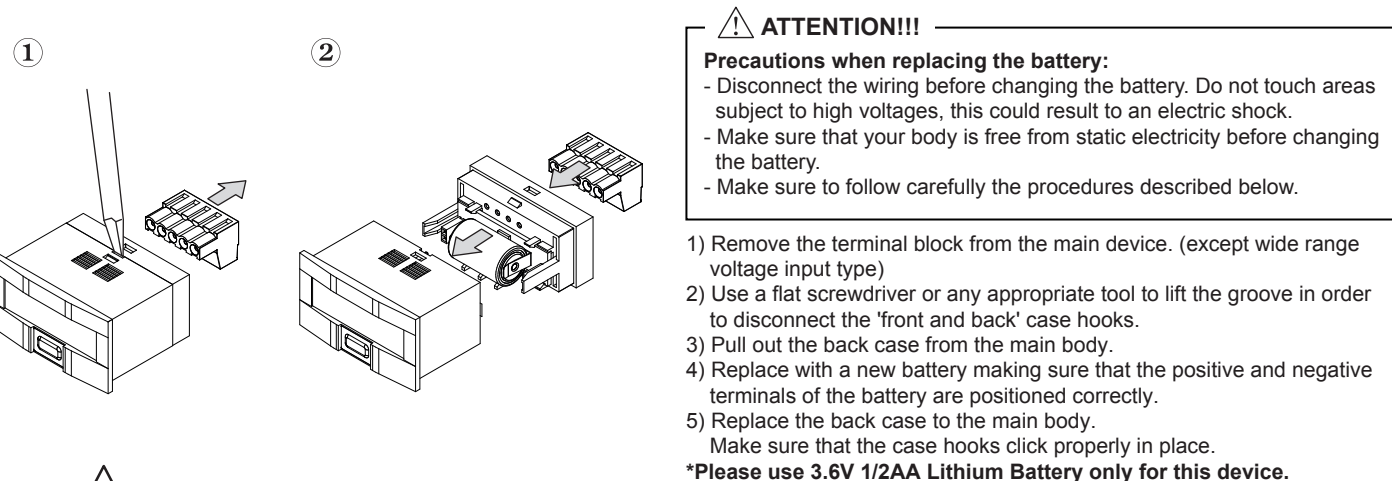
■ Wiring



■ Mounting



■ Battery Replacement



WARNING!

- This device uses Lithium battery, it must be disposed properly after use. Do not short the positive and negative terminals, recharge, disassemble, deform by the application of excessive pressure, or dispose the battery to fire as this may seriously damage it or may cause explosion.
- Do not attempt to disassemble or modify this device.
- Mount to the front panel when using this device. (Indoor use)
- Do not use organic solvents such as thinners etc. to clean the front panel.
- Internal circuit may be destroyed if a voltage outside the rated voltage is applied.