

ME / MCU / MCF Series INSTRUCTION MANUAL Electromagnetic Totalizing Counter

Thank you for purchasing our product. Please read this instruction manual carefully before using to ensure the correct usage of this product.
Please keep this instruction manual for future reference.

Customer Service

 **LINE SEIKI CO., LTD.**

Address: 37-7 Chuo-cho, 2-Chome
Meguro-ku, Tokyo
152-0001 Japan
Contact : Tel: +81-3-37165151
Fax: +81-3-37104552

E-mail : webtrade@line.co.jp
Web : http://www.lineseiki.com



WARNING

Misuse of this device may lead to injury to the user or damage to the device.



Attention

- Do not drop or subject this device to strong impact.
- Do not use or store this device where it will be exposed to direct sunlight, dust, high temperature and high humidity.
- Do not use this device where it will be exposed to vibration to avoid incorrect counting or fault.
- Do not use organic solvents such as thinners etc. to clean the front panel.
- Do not attempt to disassemble or modify this device.
- Internal parts may be destroyed if a voltage outside the rated voltage is applied.
- Do not touch the conductive part of leadwires while power is being supplied. The metal surface may become hot.

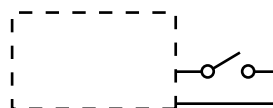
Product Type

Models	Digits	Mounting	Weight	Models	Digits	Mounting	Weight	Models	Digits	Mounting	Weight
ME-6000	6	Rear	50g	MCU-6S	6	Rear	85g	MCF-4X	4	Panel(Clip)	100g
ME-7000	7		[1.76oz.]	MCU-7S	7		[3.00oz.]	MCF-6X	6		[3.53oz.]
ME-6020	6	Base(Horizontal)	60g	MCU-6C	6	Base(Horizontal)	100g	MCF-4P	4		Panel(Screw)
ME-7020	7		[2.12oz.]	MCU-7C	7		[3.53oz.]	MCF-6P	6	[4.23oz.]	
ME-6030	6	Behind Panel (Screw)	52g	MCU-6CY	6	Base(Vertical)	105g	MCF-4P	4	Panel(Screw)	
ME-7030	7		[1.83oz.]	MCU-7CY	7		[3.70oz.]	MCF-6P	6		[3.53oz.]
ME-6040	6	Base(Vertical)	60g	MCU-6P	6	Panel(Screw)	100g	MCF-6P	6		120g
ME-7040	7		[2.12oz.]	MCU-7P	7		[3.53oz.]			[4.23oz.]	
ME-6070	6	Panel(Snap-in)	55g								
ME-7070	7		[1.94oz.]								

Specifications

Model	ME	MCU	MCF
Rated voltage	5-6VDC, 12VDC, 24VDC, 100-120VAC(50/60Hz), 200-240VAC(50/60Hz)		
Voltage range	-15% - +10%	-10% - +10%	-15% - +10%
Power consumption	1.2W(DC), 1.1VA(AC)	1.7-2.3W(DC), 2.3-4.2VA(AC)	2-3W(DC), 3-4VA(AC)
Continuous energizing	Permissible	Permissible(DC) / 5min max.(AC)	Permissible
Reset	None	None	Manual Reset (Push Button)
Count speed	10Hz max.		
Pulse width	50msec. min. (duty 1:1)		
Test Voltage	1,500VAC for 1 Minute		
Insulation Resistance	50MΩ min. (500VDC Megger)		
Vibration	Endurance: 16.7 Hz, Double Amplitude 4mm [0.16inch] Malfunction : 10-55 Hz, Double Amplitude 0.5mm [0.02inch]		
Shock	Endurance : 300m/s ² (30G) / Malfunction : 50m/s ² (5G)		
Operating temperature	-5 - +40°C [23-104°F] (Non-freezing)		
Operating humidity	85%RH max. (Non-condensing)		
Altitude	2000m max.		
Installation environment	Over-voltage category II, Pollution degree 2, Indoor use (IEC61010-1)		

Connection



Voltage	Lead wire connection				
	5-6VDC	12VDC	24VDC	100-120VAC	200-240VAC
AC~ / DC---⊕	Gray	Black	Brown	Blue	Red
AC~ / DC---⊖	White	White	White	Blue	Red

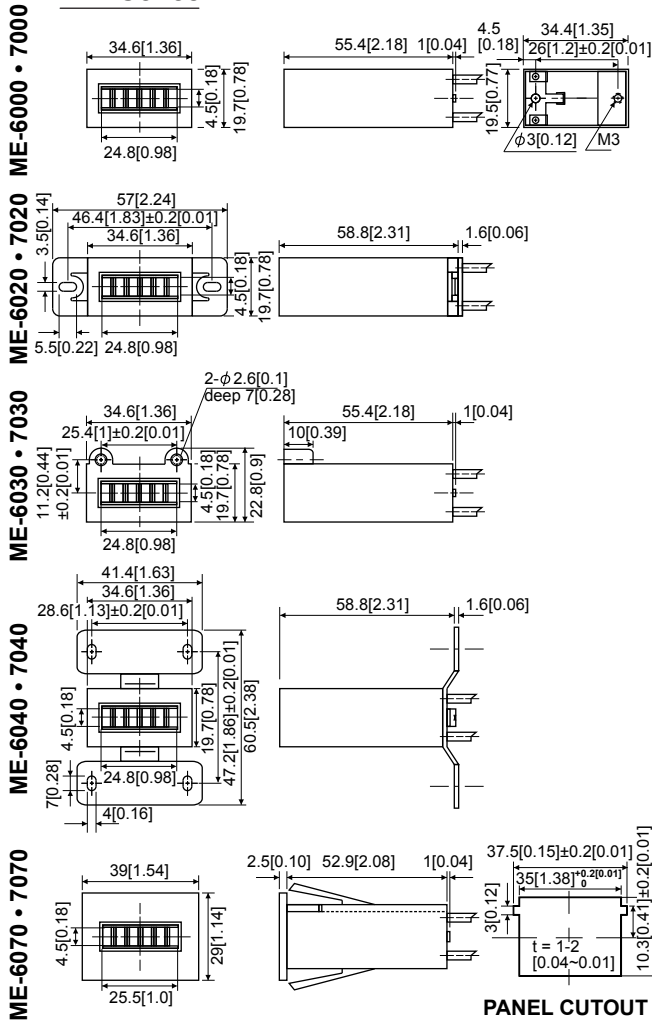
Conformance to EN/IEC standards

- When conforming to EN/IEC standards, refer to the information provided in this instruction manual.
- Use a switch to turn off the input voltage instantaneously. The switch shall be in close proximity to the equipment and within easy reach of the operator. (AC input type)
- input voltage should be protected with an overcurrent protection device that conforms to the EN/IEC standards.
Recommended fuse : T16A, 250VAC, Time-lag fuse (AC input type)

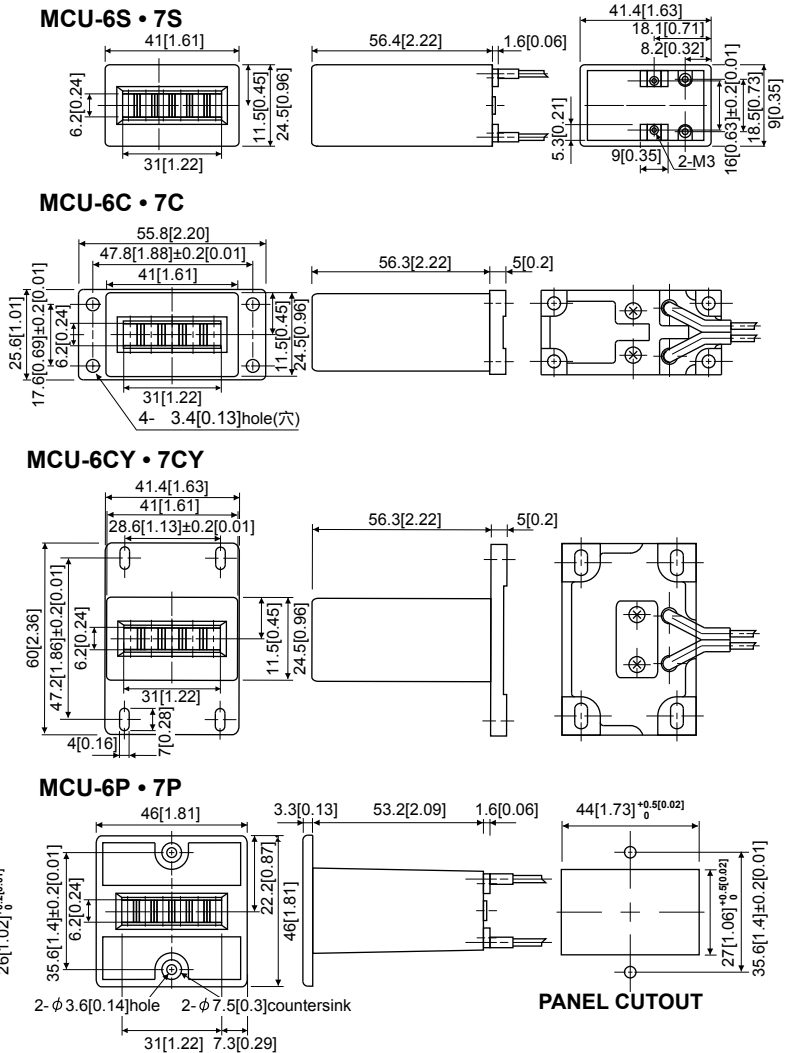
ME / MCU / MCF Series INSTRUCTION MANUAL Electromagnetic Totalizing Counter

Dimensions mm[inch]

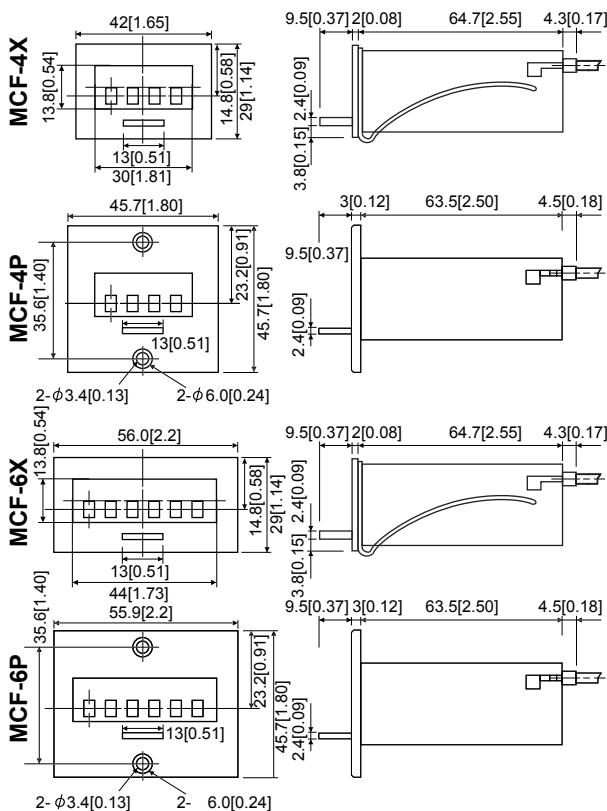
ME Series



MCU Series



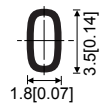
MCF Series



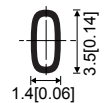
Digit Size

ME Series

6 Digits

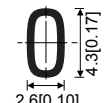


7 Digits

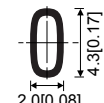


MCU Series

6 Digits



7 Digits



MCF Series

4 / 6 Digits

